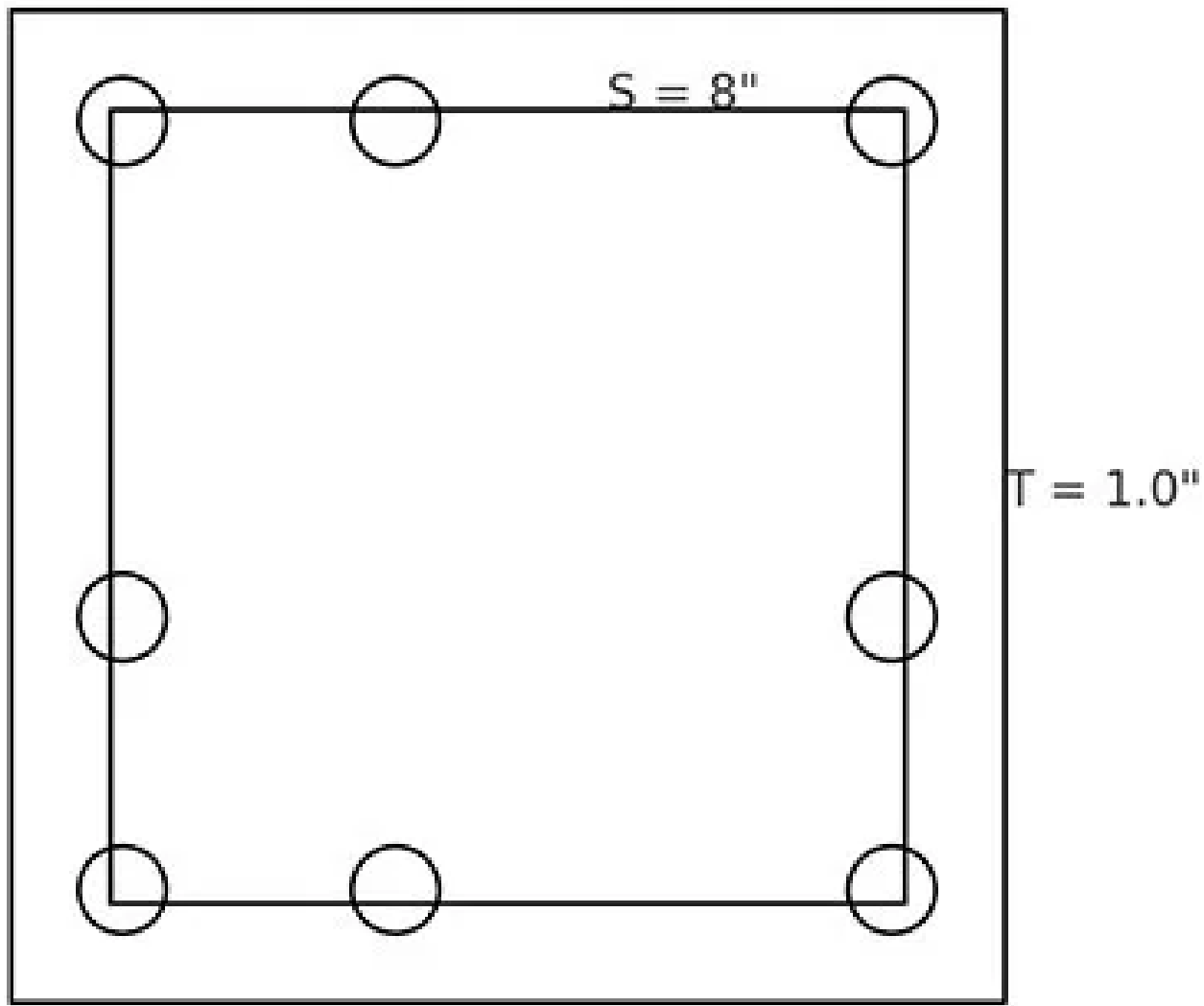


ASME B16.5 Expander Flange Dimensions

$D = 10''$



$BCD = 9.25''$

General Dimensions for Expander Flanges (in inches)

NPS (Nominal Pipe Size)	Expander Flange Diameter (D)	Thickness (T)	Bolt Circle Diameter (BCD)	Number of Bolts (n)	Bolt Size (d)	Small End Diameter (S)
1/2 x 3/4	3.88	0.50	3.12	4	0.50	3.50
3/4 x 1	4.25	0.56	3.50	4	0.50	3.88
1 x 1 1/2	5.00	0.62	4.50	4	0.62	4.25
1 1/2 x 2	6.00	0.69	5.00	4	0.62	5.00
2 x 2 1/2	7.00	0.75	6.00	4	0.62	6.00
2 1/2 x 3	7.50	0.81	6.62	4	0.75	7.00
3 x 4	9.00	0.94	7.88	8	0.75	7.50
4 x 5	10.00	1.00	9.25	8	0.88	9.00
5 x 6	11.00	1.12	10.62	8	0.88	10.00
6 x 8	13.50	1.25	13.00	8	0.88	11.00
8 x 10	16.00	1.38	15.25	12	1.00	13.50
10 x 12	19.00	1.44	17.75	12	1.00	16.00
12 x 14	21.00	1.62	20.25	12	1.13	19.00
14 x 16	23.50	1.75	22.50	16	1.13	21.00
16 x 18	25.00	1.88	24.75	16	1.25	23.50
18 x 20	27.50	2.00	27.00	20	1.25	25.00
20 x 24	32.00	2.25	32.00	20	1.38	27.50
24 x 30	38.75	2.62	38.75	28	1.38	32.00
30 x 36	46.00	3.00	46.00	32	1.50	38.75
36 x 42	53.00	3.38	53.00	36	1.50	46.00
42 x 48	59.50	3.62	59.50	44	1.75	53.00
48 x 54	66.25	4.00	66.25	44	1.75	59.50
54 x 60	73.00	4.25	73.00	52	2.00	66.25
60 x 72	83.50	4.50	83.50	60	2.00	73.00